

Large Enclosed AC Drives NEW

Users requiring quick delivery of a high-horsepower NEMA 12 Positive Pressure Blown and Filtered AC drive system, now have an Emerson Solution.

Robust Unidrive SPM technology from Control Techniques gives users the power, performance, and the ultimate in flexibility for all AC applications from 100 hp to 500 hp. For custom built higher horsepower configurations please consult your sales representative.

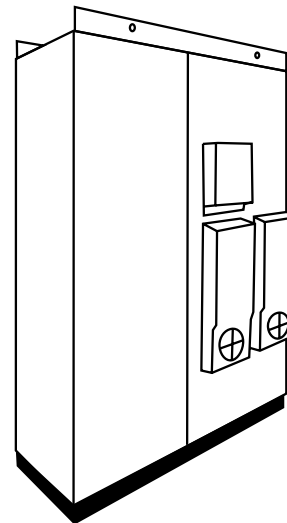
Features

- All the state-of-the-art integration features of the Unidrive SP
- A cost competitive, pre-engineered "AC In – AC Out" solution
- A perfect match for both high-performance, and standard drive applications, such as fans, pumps and conveyors
- Industry standard NEMA 12 filtered and ventilated enclosures
- Simplicity in ordering, installing and configuring
- An extensive array of options, including...
 - Circuit Breaker Disconnect
 - Line / Load Reactors
 - Door Mounted Operator Controls
 - Door Mounted Keypad



Dimensions

Cabinet Dimensions (inches)				
460V Horsepower	Duty	Height	Width	Depth
100–125 hp	Normal	78.75	23.6	23.6
100–125 hp	Heavy			
150–250 hp	Normal	78.75	31.5	27.5
150–250 hp	Heavy			
300–500 hp	Normal	78.75	55.1	27.5
300–450 hp	Heavy			
500 hp	Heavy	78.75	63	27.5



Note: Depth dimensions for the cabinets in the table include through-panel heatsinks and blowers on the back of the cabinet.

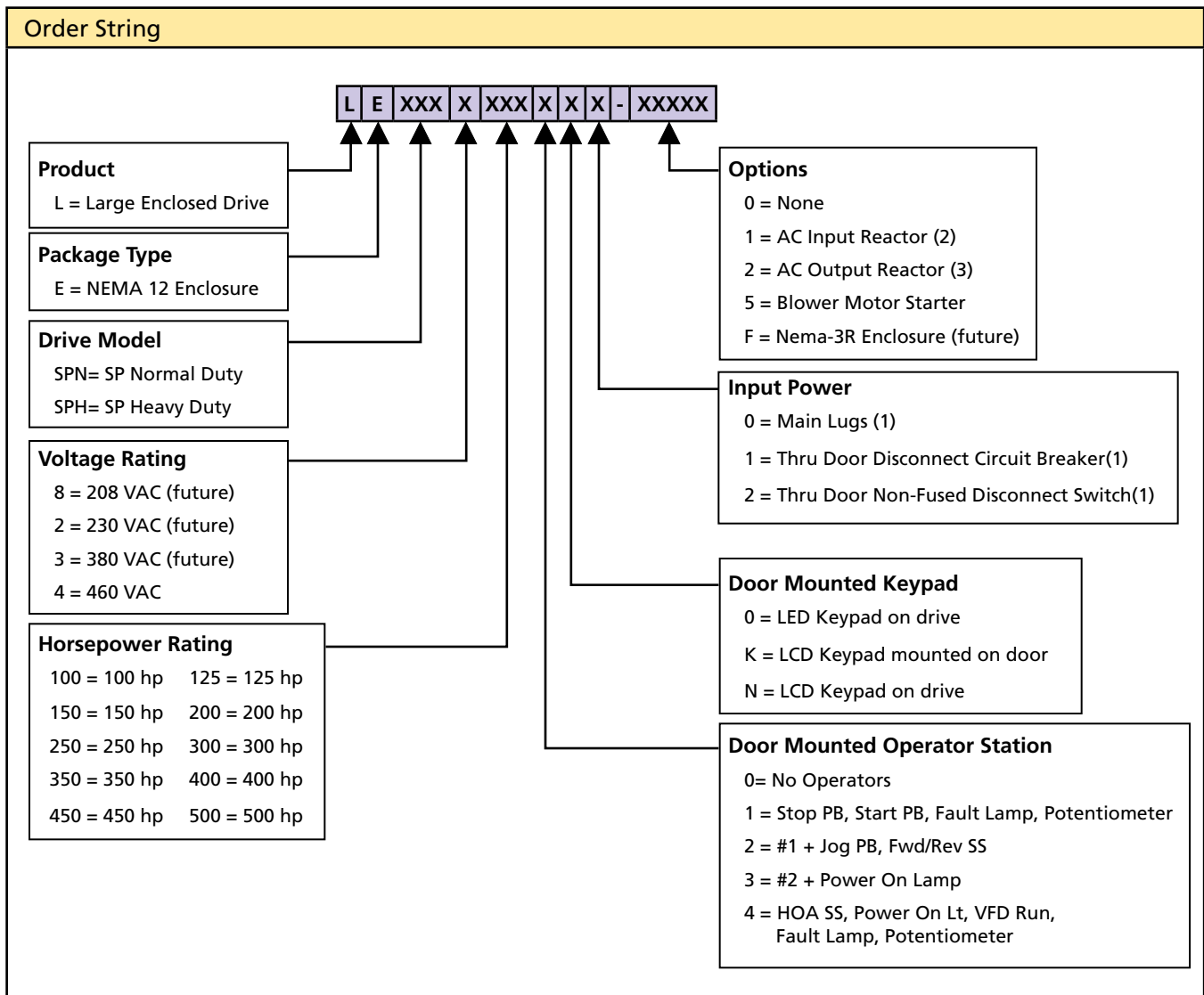
Packaged Drives & Engineered Systems



460 VAC Large Enclosed Drives Horsepower Ratings

Model	Normal Duty Rating (110%)			Heavy Duty Rating (150%)		
	hp 460 VAC	Continuous Amps	Peak Amps	hp 460 VAC	Continuous Amps	Closed Loop Peak Amps
LESPx4100	100	138	151	100	124	217
LESPx4125	125	168	184	125	156	273
LESPx4150	150	205	226	150	210	315
LESPx4200	200	236	260	200	246	369
LESPx4250	250	290	319	250	290	435
LESPx4300	300	335	369	300	342	513
LESPx4350	350	448	492	350	399	599
LESPx4400	400	470	517	400	470	682
LESPx4450	450	551	606	450	551	827
LESPx4500	500	637	701	500	599	898

Maximum permissible current output @ 40°C and 3kHz switching frequency. Consult factory for higher horsepower drives.



Ordering Notes: (1) Drive line fuses are included as standard
 (2) Input reactors are included on 200 hp HD, and all 250 to 500 hp drives
 (3) Output reactors are included on all 300 to 500 hp drives