

# AC RapidPak

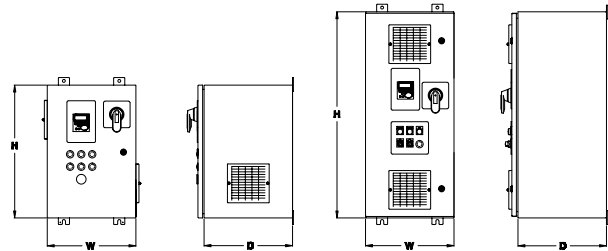
With our RapidPak solutions, and one of the shortest lead times in the industry, you will have an expertly packaged complete drive solution within days of placing your order. One week lead time is standard with a 24 hour option available.

Use the intuitive Order Code Configurator on the following pages to customize the package to your exact requirements. Choose between the simple and flexible Commander SK, the general purpose Commander GP20, and the high performance Unidrive SP. Each of these drives is available in either the space saving "Cube" style or the option abundant "Slimline" enclosure. A main disconnect, door-mounted keypad, input and output reactors, and a variety of door mounted operator's are only the beginning of the long list of options. Combine these with an SM Solutions Module for fieldbus connectivity, additional I/O, or a scalable PLC to solve the most difficult applications. Please see the AC Drives Section for SM Module options and drive compatibility.

These UL508A approved drive packages come standard with a 2 year Drive Warranty.

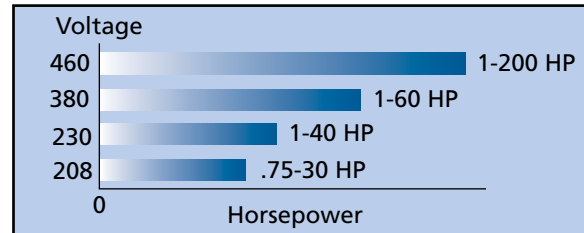


Slimline, 460VAC, 15 HP, OP Stn #5, Keypad, CB, Input reactor, 3 contactor Bypass



Cube Style

Slimline Style



## Standard Features

- Open or Closed Loop Vector, V/Hz, Rotor Flux Control (RFC) performance
- Input Voltage 208-460 VAC, 50/60 Hz
- Cube or Slimline Enclosure, Nema -12 (PPBF), fully gasketed, (PPBF) Positive Pressure Blown and Filtered
- AC Line Fusing
- Input Main lugs for customer termination
- Standard lead time in one week
- CT Soft Windows™-based programming tool

## Enclosure Design

- Cube: smallest possible package drive and input disconnect option.
- Slimline: compact packaging suitable for side-by-side mounting ( only 1/2" spacing required)
- Textured, beige powder coat
- Nema -12 (PPBF), fully gasketed, (PPBF) Positive Pressure Blown and Filtered
- 14 gauge steel

## Options

- Normal Duty rating (110% for 1 minute)
- Heavy Duty rating (150% for 1 minute)
- 3%, AC Line Reactor
- 3%, AC Output Reactor
- Auto or Manual 3-Contactor Bypass
- Blower motor starter with adjustable overload
- Nema 3R, Enclosure
- Door mounted operator devices.
- Circuit breaker or Non-fused disconnect switch
- Door mounted LCD (SM – Keypad Plus) with three lines of text.
- SM-Modules not included in the Order Code configurator, please consult with factory.

AC RapidPak



**Normal Duty 208 VAC, 3-Phase Input and Output, 50/60 Hz Input**

Normal Duty 110% for 1 minute		Slim Enclosure			Cube Enclosure		
HP	Amps	Order Code	Dimensions HxWxD (in)	Weight (lbs)	Order Code	Dimensions HxWxD (in)	Weight (lbs)
1	5.2	RSxxN8001xxx-x	38x16x16	135	RCxxN8001xxx-x	24x16x16	65
1.5	6.8	RSxxN81P5xxx-x	38x16x16	135	RCxxN81P5xxx-x	24x16x16	65
2	9.6	RSxxN8002xxx-x	38x16x16	135	RCxxN8002xxx-x	24x16x16	65
3	15.5	RSxxN8003xxx-x	38x16x16	140	RCxxN8003xxx-x	24x16x16	70
5	22	RSxxN8005xxx-x	38x16x16	140	RCxxN8005xxx-x	24x16x16	70
7.5	28	RSxxN87P5xxx-x	38x16x16	140	RCxxN87P5xxx-x	24x16x16	70
10	42	RSxxN8010xxx-x	56x16x16	210	RCxxN8010xxx-x	30x24x16	180
15	54	RSxxN8015xxx-x	56x16x16	210	RCxxN8015xxx-x	30x24x16	180
20	68	RSxxN8020xxx-x	72x21x16	240	RCxxN8020xxx-x	39x30x16	145
25	80	RSxxN8025xxx-x	72x21x16	300	RCxxN8025xxx-x	39x30x16	200
30	104	RSxxN8030xxx-x	72x21x16	300	RCxxN8030xxx-x	39x30x16	200

**Heavy Duty 208 VAC, 3-Phase Input and Output, 50/60 Hz Input**

Heavy Duty 110% for 1 minute		Slim Enclosure			Cube Enclosure		
HP	Amps	Order Code	Dimensions HxWxD (in)	Weight (lbs)	Order Code	Dimensions HxWxD (in)	Weight (lbs)
.75	4.3	RSxxH80P7xxx-x	38x16x16	135	RCxxH80P7xxx-x	24x16x16	65
1	5.8	RSxxH8001xxx-x	38x16x16	135	RCxxH8001xxx-x	24x16x16	65
1.5	7.5	RSxxH81P5xxx-x	38x16x16	135	RCxxH81P5xxx-x	24x16x16	65
2	10.6	RSxxH8002xxx-x	38x16x16	140	RCxxH8002xxx-x	24x16x16	70
3	17	RSxxH8003xxx-x	38x16x16	140	RCxxH8003xxx-x	24x16x16	70
5	25	RSxxH8005xxx-x	38x16x16	140	RCxxH8005xxx-x	24x16x16	70
7.5	31	RSxxH87P5xxx-x	56x16x16	140	RCxxH87P5xxx-x	30x24x16	70
10	42	RSxxH8010xxx-x	56x16x16	210	RCxxH8010xxx-x	30x24x16	145
15	56	RSxxH8015xxx-x	72x21x16	210	RCxxH8015xxx-x	39x30x16	145
20	68	RSxxH8020xxx-x	72x21x16	300	RCxxH8020xxx-x	39x30x16	200
25	80	RSxxH8025xxx-x	72x21x16	300	RCxxH8025xxx-x	39x30x16	200

**Normal Duty 230 VAC, 3-Phase Input and Output, 50/60 Hz Input**

Normal Duty 110% for 1 minute		Slim Enclosure			Cube Enclosure		
HP	Amps	Order Code	Dimensions HxWxD (in)	Weight (lbs)	Order Code	Dimensions HxWxD (in)	Weight (lbs)
1.5	5.2	RSxxN21P5xxx-x	38x16x16	135	RCxxN21P5xxx-x	24x16x16	65
2	6.8	RSxxN2002xxx-x	38x16x16	135	RCxxN2002xxx-x	24x16x16	65
3	9.6	RSxxN2003xxx-x	38x16x16	135	RCxxN2003xxx-x	24x16x16	65
5	15.5	RSxxN2005xxx-x	38x16x16	140	RCxxN2005xxx-x	24x16x16	70
7.5	22	RSxxN27P5xxx-x	38x16x16	140	RCxxN27P5xxx-x	24x16x16	70
10	28	RSxxN2010xxx-x	38x16x16	140	RCxxN2010xxx-x	24x16x16	70
15	42	RSxxN2015xxx-x	56x16x16	210	RCxxN2015xxx-x	30x24x16	180
20	54	RSxxN2020xxx-x	56x16x16	210	RCxxN2020xxx-x	30x24x16	180
25	68	RSxxN2025xxx-x	72x21x16	240	RCxxN2025xxx-x	39x30x16	145
30	80	RSxxN2030xxx-x	72x21x16	300	RCxxN2030xxx-x	39x30x16	200
40	104	RSxxN2040xxx-x	72x21x16	300	RCxxN2040xxx-x	39x30x16	200

Order string: The base Order Code requires a minimum of 12 characters in sequence to create the order string.

Heavy Duty 230 VAC, 3-Phase Input and Output, 50/60 Hz Input							
Heavy Duty 150% for 1 minute		Slim Enclosure			Cube Enclosure		
HP	Amps	Order Code	Dimensions HxWxD (in)	Weight (lbs)	Order Code	Dimensions HxWxD (in)	Weight (lbs)
1	4.3	RSxxH2001xxx-x	38x16x16	135	RCxxH2001xxx-x	24x16x16	65
1.5	5.8	RSxxH21P5xxx-x	38x16x16	135	RCxxH21P5xxx-x	24x16x16	65
2	7.5	RSxxH2002xxx-x	38x16x16	135	RCxxH2002xxx-x	24x16x16	65
3	10.6	RSxxH2003xxx-x	38x16x16	140	RCxxH2003xxx-x	24x16x16	70
5	17	RSxxH2005xxx-x	38x16x16	140	RCxxH2005xxx-x	24x16x16	70
7.5	25	RSxxH27P5xxx-x	38x16x16	140	RCxxH27P5xxx-x	24x16x16	70
10	31	RSxxH2010xxx-x	56x16x16	140	RCxxH2010xxx-x	30x24x16	70
15	42	RSxxH2015xxx-x	56x16x16	210	RCxxH2015xxx-x	30x24x16	145
20	56	RSxxH2020xxx-x	72x21x16	210	RCxxH2020xxx-x	39x30x16	145
25	68	RSxxH2025xxx-x	72x21x16	300	RCxxH2025xxx-x	39x30x16	200
30	80	RSxxH2030xxx-x	72x21x16	300	RCxxH2030xxx-x	39x30x16	200

Normal Duty 460 VAC, 3-Phase Input and Output, 50/60 Hz Input							
Normal Duty 110% for 1 minute		Slim Enclosure			Cube Enclosure		
HP	Amps	Order Code	Dimensions HxWxD (in)	Weight (lbs)	Order Code	Dimensions HxWxD (in)	Weight (lbs)
1.5	2.8	RSxxN41P5xxx-x	38x16x16	135	RCxxN41P5xxx-x	24x16x16	70
2	3.8	RSxxN4002xxx-x	38x16x16	135	RCxxN4002xxx-x	24x16x16	70
3	5	RSxxN4003xxx-x	38x16x16	135	RCxxN4003xxx-x	24x16x16	70
5	8.8	RSxxN4005xxx-x	38x16x16	135	RCxxN4005xxx-x	24x16x16	70
7.5	11	RSxxN47P5xxx-x	38x16x16	135	RCxxN47P5xxx-x	24x16x16	70
10	15.3	RSxxN4010xxx-x	38x16x16	140	RCxxN4010xxx-x	24x16x16	70
15	21	RSxxN4015xxx-x	38x16x16	140	RCxxN4015xxx-x	24x16x16	70
20	29	RSxxN4020xxx-x	38x16x16	140	RCxxN4020xxx-x	24x16x16	70
25	35	RSxxN4025xxx-x	56x16x16	140	RCxxN4025xxx-x	30x24x16	150
30	43	RSxxN4030xxx-x	56x16x16	210	RCxxN4030xxx-x	30x24x16	150
40	56	RSxxN4040xxx-x	56x16x16	210	RCxxN4040xxx-x	30x24x16	250
50	68	RSxxN4050xxx-x	72x21x16	300	RCxxN4050xxx-x	39x30x16	280
60	83	RSxxN4060xxx-x	72x21x16	350	RCxxN4060xxx-x	39x30x16	280
75	104	RSxxN4075xxx-x	72x21x16	350	RCxxN4075xxx-x	39x30x16	280
100	138	RSxxN4100xxx-x	72x36x18	550	n/a		
125	168	RSxxN4125xxx-x	72x36x18	550			
150	202	RSxxN4150xxx-x	90x36x20	700			
200	236	RSxxN4200xxx-x	90x36x20	700			

Note: Weight does not include options.

Order string: The base Order Code requires a minimum of 12 characters in sequence to create the order string.

AC RapidPak

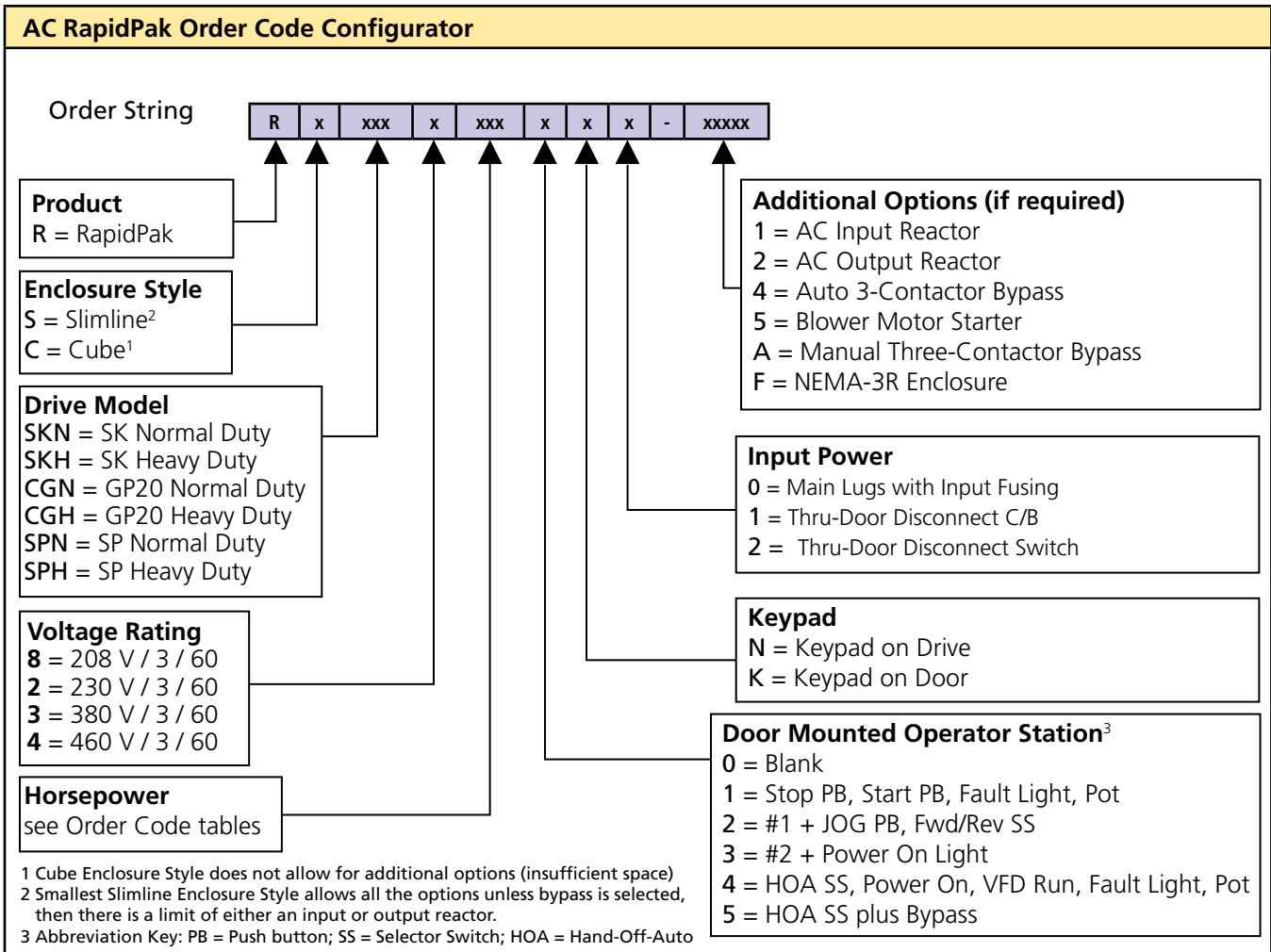
Heavy Duty 460 VAC, 3-Phase Input and Output, 50/60 Hz Input							
Heavy Duty 150% for 1 minute		Slim Enclosure			Cube Enclosure		
HP	Amps	Order Code	Dimensions HxWxD (in)	Weight (lbs)	Order Code	Dimensions HxWxD (in)	Weight (lbs)
1	2.1	RSxxH4001xxx-x	38x16x16	135	RCxxH4001xxx-x	24x16x16	70
1.5	3	RSxxH41P5xxx-x	38x16x16	135	RCxxH41P5xxx-x	24x16x16	70
3	5.8	RSxxH4003xxx-x	38x16x16	135	RCxxH4003xxx-x	24x16x16	70
5	7.6	RSxxH4005xxx-x	38x16x16	135	RCxxH4005xxx-x	24x16x16	70
7.5	13	RSxxH47P5xxx-x	38x16x16	135	RCxxH47P5xxx-x	24x16x16	70
10	16.5	RSxxH4010xxx-x	38x16x16	140	RCxxH4010xxx-x	24x16x16	70
15	25	RSxxH4015xxx-x	38x16x16	140	RCxxH4015xxx-x	24x16x16	70
20	29	RSxxH4020xxx-x	38x16x16	140	RCxxH4020xxx-x	24x16x16	70
25	32	RSxxH4025xxx-x	56x16x16	140	RCxxH4025xxx-x	30x24x16	70
30	40	RSxxH4030xxx-x	56x16x16	210	RCxxH4030xxx-x	30x24x16	150
40	60	RSxxH4040xxx-x	72x21x16	210	RCxxH4040xxx-x	39x30x16	150
50	74	RSxxH4050xxx-x	72x21x16	300	RCxxH4050xxx-x	39x30x16	250
75	96	RSxxH4075xxx-x	72x21x16	300	RCxxH4075xxx-x	39x30x16	280
100	124	RSxxH4100xxx-x	72x36x18	550	n/a		
125	156	RSxxH4125xxx-x	72x36x18	550			
150	180	RSxxH4150xxx-x	90x36x20	700			

Note: Weight does not include options.

## AC RapidPaks are available with Commander SK, Commander GP20 and Unidrive SP

### Definition - RapidPak AC Order Code Configurator

Item	Description
<b>Enclosure Style</b> C = Cube enclosure S = Slimline enclosure	Cube enclosure option allows only the circuit breaker, non-fused disconnect switch and door operator devices. The Slimline enclosure allows all the options unless bypass is selected, then there is a limit of either an input or output reactor.
<b>Drive Type</b> SKN = SK Normal Duty, SKH = SK Heavy Duty, CGN = GP20 Normal Duty, CGH = GP20 Heavy Duty, SPN = SP Normal Duty, SPH = SP Heavy Duty,	Three drive models: Commander SK, Commander GP20 & Unidrive SP, AC drives with a Normal duty, current overload rating of 110% for 60 seconds. Heavy duty, current overloads rating of 150% for 1 minute.
<b>Voltage Rating</b> 8=208 VAC, 2=230 VAC, 3=380 VAC, 4=460 VAC	AC Input line voltage, 3 hp, 50/60 Hz, equals AC output rating for motor.
<b>HP Rating</b>	Motor hp ratings are based on typical motor current ratings. Actual motor currents and the type of applications should be reviewed before selecting drive size.
<b>Door Mounted Operator Station</b> 0 = Blank 1 = Stop PB, Start PB, Fault Light, Pot. 2 = # 1 & Jog PB, Fwd/Rev SS 3 = # 2 & Power On Light 4 = HOA SS, Pot, Power On, VFD Run, Fault Light 5 = HOA SS, Plus Bypass	The blank option defines that the devices are remote mounted. Selection #1 to #5 defines that the devices are door mounted and wired to the drive terminals.
<b>Input Power</b> 0 = Main Lugs with Input Fusing 1 = Circuit breaker (CB) 2 = Non-fused disconnect (NFD)	0 = Input Main lugs for customer termination with input fusing standard. 1 = CB with through the door operator, Thermal-magnetic overload protection and main circuit disconnect. Includes drive input semiconductor fuses. 2 = NFD with through the door operator, main circuit disconnect. Includes drive fusing.



Order string: The base Order Code requires a minimum of 12 characters in sequence to create the order string.

### Additional Order Code

<b>AC Input Reactor</b>	3% impedance input line reactor. Reduces harmonics to line. <b>Slimline only</b>
<b>AC Output Reactor</b>	3% impedance output line reactor. Increases motor insulation life by reducing dV/dt. <b>Slimline only</b>
<b>Auto Three-Contactor Bypass</b>	Used in applications where full speed operation is required if drive becomes inoperable. Automatically switches upon drive fault. Requires Operator Station #5. <b>Slimline only</b>
<b>Blower Motor Starter</b>	Controls separately powered motor blower on TEBC and DPFV motors used for wide speed range applications. Not available with Bypass Options. <b>Slimline only</b>
<b>Manual Three-Contactor Bypass</b>	Used in applications where full speed operation is required if drive becomes inoperable. Manual (operator) activated via Operator Station #5. <b>Slimline only</b>
<b>Nema 3R Enclosure</b>	Enclosure intended for outdoor use. Provides a degree of protection against falling rain, sleet, and external ice.

For options not included in the Order Code configurator, please consult factory.